



US008876574B2

(12) **United States Patent**
Bourdelaïse et al.

(10) **Patent No.:** **US 8,876,574 B2**
(45) **Date of Patent:** **Nov. 4, 2014**

(54) **DEVICE FOR SCATTERING CONFETTI**

(75) Inventors: **Chase Bourdelaïse**, New York, NY (US); **Paul Wagner**, Locust Valley, NY (US)

(73) Assignee: **FiestaFive, LLC**, Gambrills, MD (US)

(*) Notice: Subject to any disclaimer, the term of this patent is extended or adjusted under 35 U.S.C. 154(b) by 440 days.

(21) Appl. No.: **13/114,723**

(22) Filed: **May 24, 2011**

(65) **Prior Publication Data**

US 2011/0290912 A1 Dec. 1, 2011

Related U.S. Application Data

(60) Provisional application No. 61/348,175, filed on May 25, 2010.

(51) **Int. Cl.**
A63H 33/30 (2006.01)
A63H 37/00 (2006.01)

(52) **U.S. Cl.**
CPC **A63H 37/00** (2013.01)
USPC **446/475**; 446/399; 446/406

(58) **Field of Classification Search**
USPC 446/399, 406, 475
See application file for complete search history.

(56) **References Cited**

U.S. PATENT DOCUMENTS

825,843 A 7/1906 Kliemandt
1,324,092 A * 12/1919 Worswick 446/398
1,664,401 A * 4/1928 Alfred 446/475

2,179,662 A *	11/1939	Langos	446/182
2,752,729 A *	7/1956	Macinnes	446/399
3,610,152 A *	10/1971	Kaneko	102/355
3,721,041 A *	3/1973	Goldfarb	446/169
3,744,417 A *	7/1973	Kaneko	102/357
3,908,306 A *	9/1975	Petersen et al.	446/52
4,037,790 A *	7/1977	Reiser et al.	239/529
4,059,917 A *	11/1977	Sims et al.	446/398
4,216,609 A *	8/1980	Ortiz	446/401
4,463,879 A *	8/1984	Des Voignes	222/175
4,605,230 A *	8/1986	Halford et al.	273/129 AP
5,072,856 A *	12/1991	Kimble	222/78
5,109,773 A *	5/1992	Kaneko	102/357
5,141,467 A *	8/1992	Crosbie	446/398
5,303,847 A *	4/1994	Cottone	222/78
5,338,242 A	8/1994	Cheng	
5,354,227 A *	10/1994	Watkins	446/475
5,403,225 A	4/1995	Watkins	
5,433,644 A *	7/1995	Cheng	446/224
5,468,170 A *	11/1995	Kantor et al.	446/23
5,484,085 A *	1/1996	Bennett	222/175
5,624,295 A	4/1997	Watkins	
5,634,840 A *	6/1997	Watkins	446/475
5,678,730 A *	10/1997	Fabek et al.	222/78
5,772,491 A	6/1998	Watkins	
5,823,850 A	10/1998	Watkins	
5,961,003 A *	10/1999	Coryell	222/175
5,971,240 A *	10/1999	Dequaine	224/217

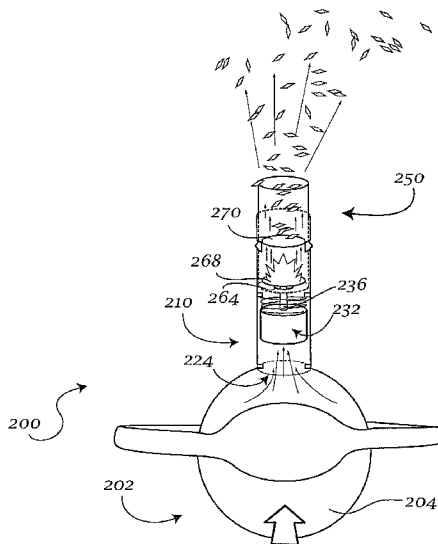
(Continued)

Primary Examiner — Gene Kim
Assistant Examiner — Joseph B Baldori
(74) *Attorney, Agent, or Firm* — Maier & Maier, PLLC

(57) **ABSTRACT**

A device for scattering confetti. The device may include a body, a container, coupled to the body, and having confetti disposed therein, and at least one retaining structure for maintaining the device in a hand of a person. A portion of the body may be disposed in the palm of the hand, while one or both of the body and the container may further include at least one component for releasing confetti from the container.

13 Claims, 9 Drawing Sheets



(56)

References Cited

U.S. PATENT DOCUMENTS

6,299,502	B1	10/2001	Cheng				
RE37,616	E *	4/2002	Schumacher	124/66			
6,421,502	B1 *	7/2002	Aronie et al.	392/399			
6,447,364	B1 *	9/2002	Song	446/475			
6,450,160	B1	9/2002	Fu				
6,572,435	B1	6/2003	Wong				
6,814,260	B2 *	11/2004	Caffrey	222/175			
6,826,355	B2 *	11/2004	Aronie et al.	392/399			
7,574,973	B2 *	8/2009	Markham	116/209			
7,666,056	B2 *	2/2010	Munoz et al.	446/475			
7,731,061	B1 *	6/2010	Woodhouse et al.	222/175			
2001/0053654	A1	12/2001	Watkins				
2002/0077027	A1 *	6/2002	Wu	446/475			
2005/0075043	A1 *	4/2005	Lorenzana	446/475			
2005/0202753	A1 *	9/2005	Munoz et al.	446/475			
2006/0213106	A1	9/2006	Young				
2008/0311822	A1 *	12/2008	Kim	446/475			

* cited by examiner

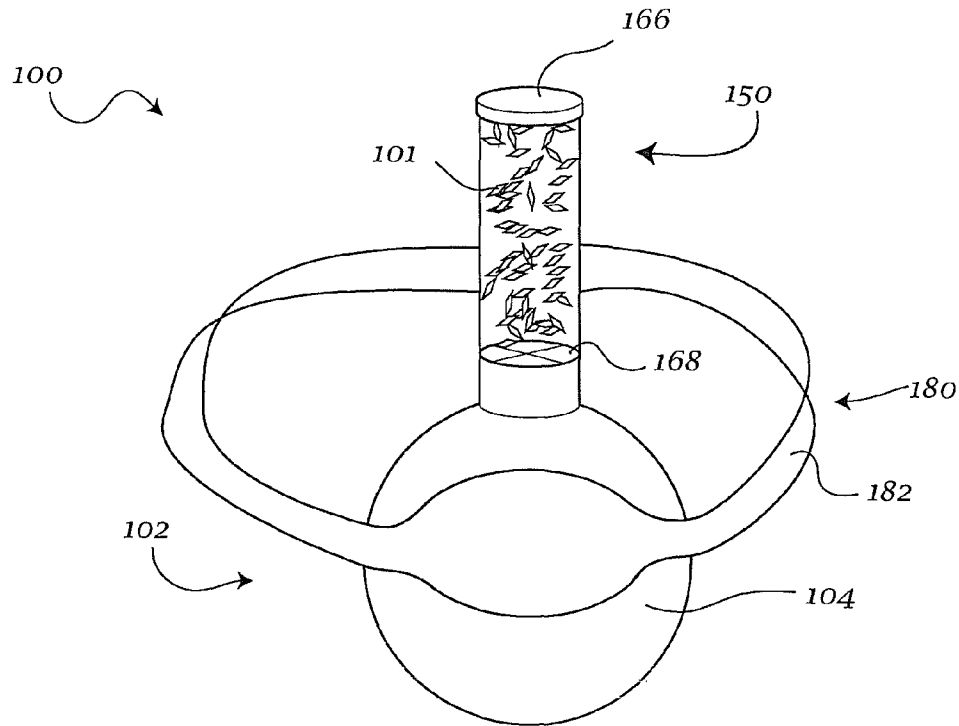


Fig. 1a

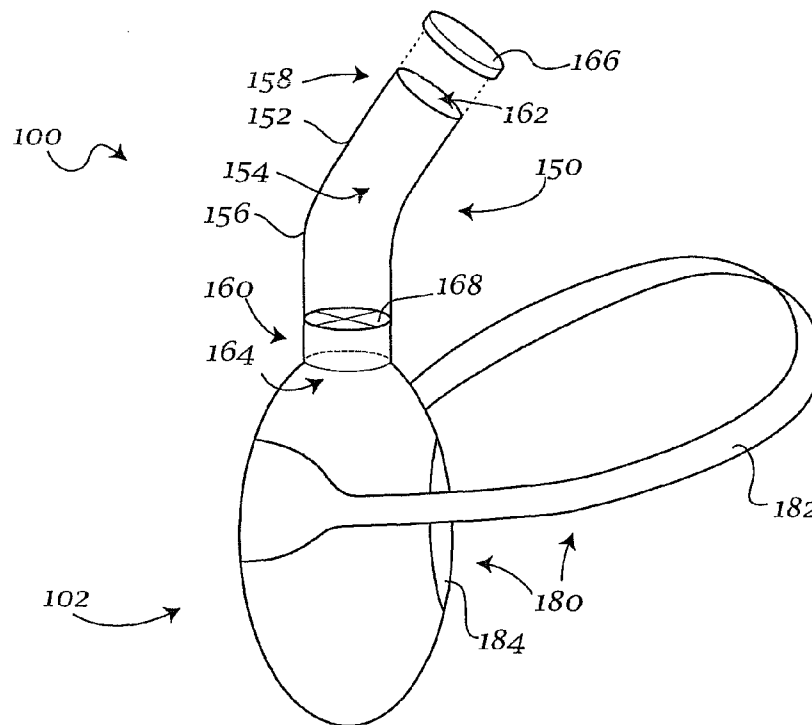


Fig. 1b

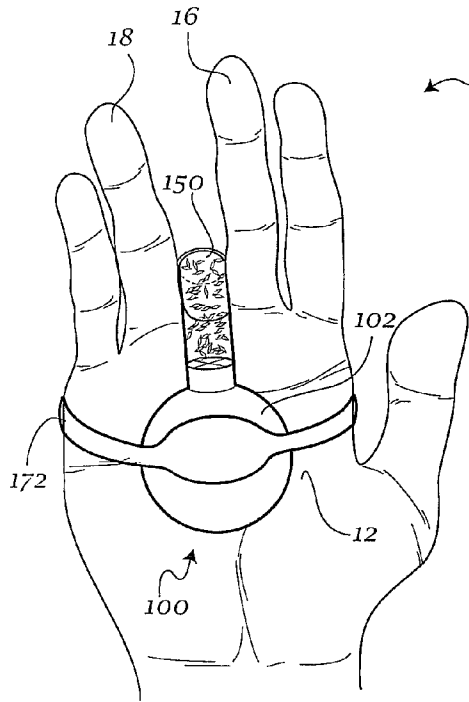


Fig. 1c

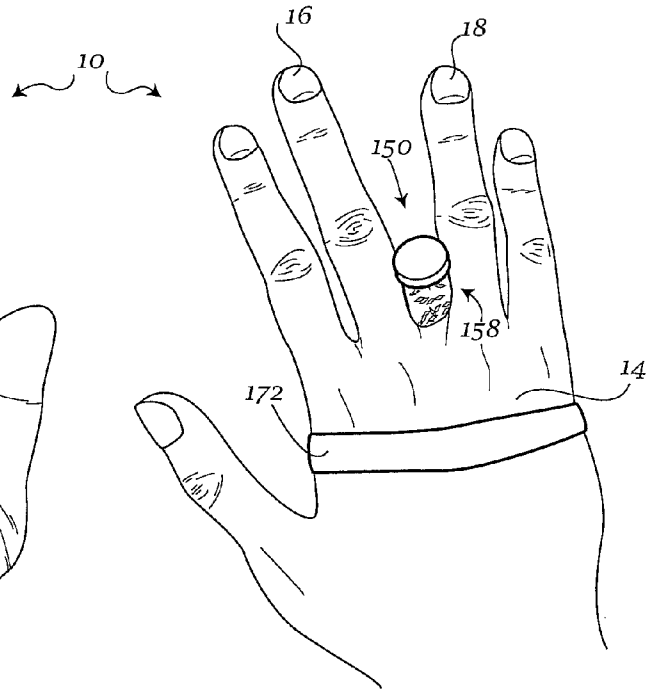


Fig. 1d

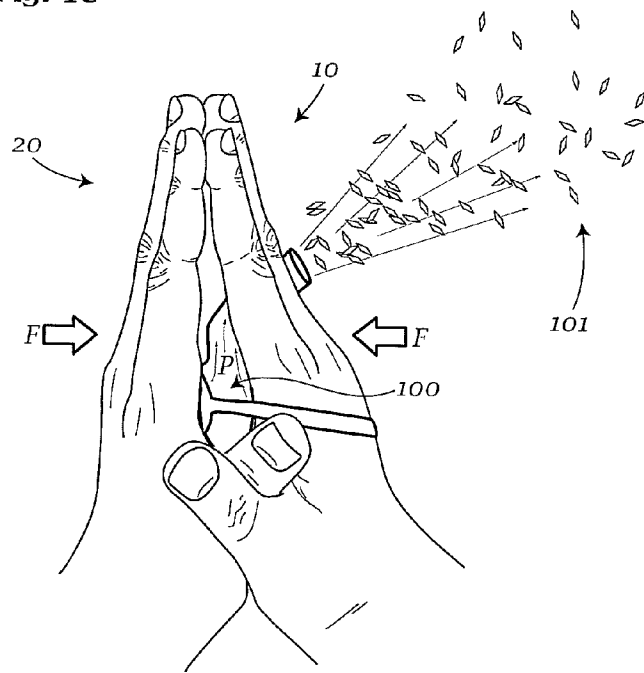


Fig. 1e

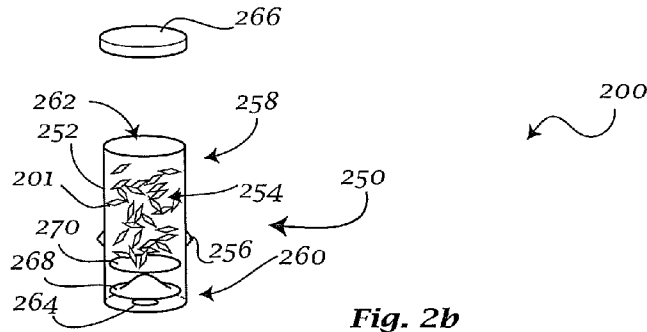


Fig. 2b

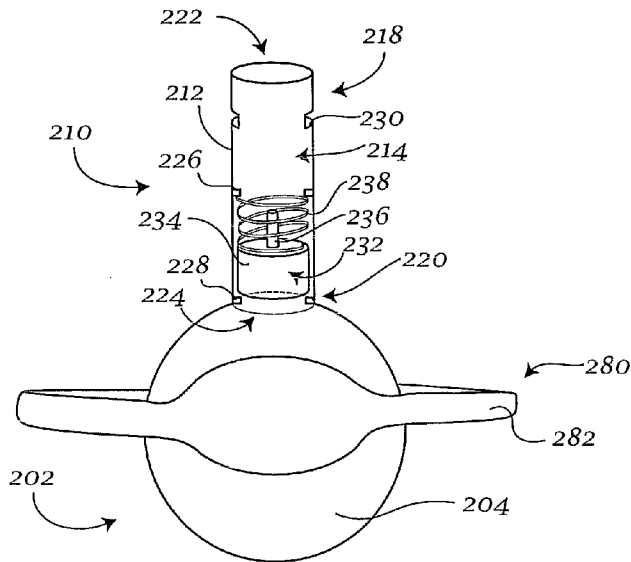


Fig. 2a

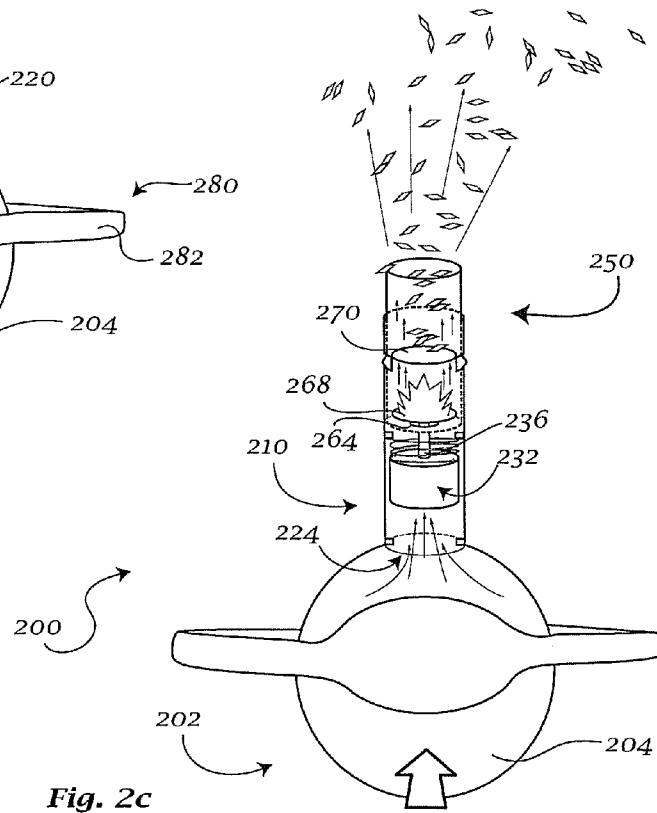


Fig. 2c

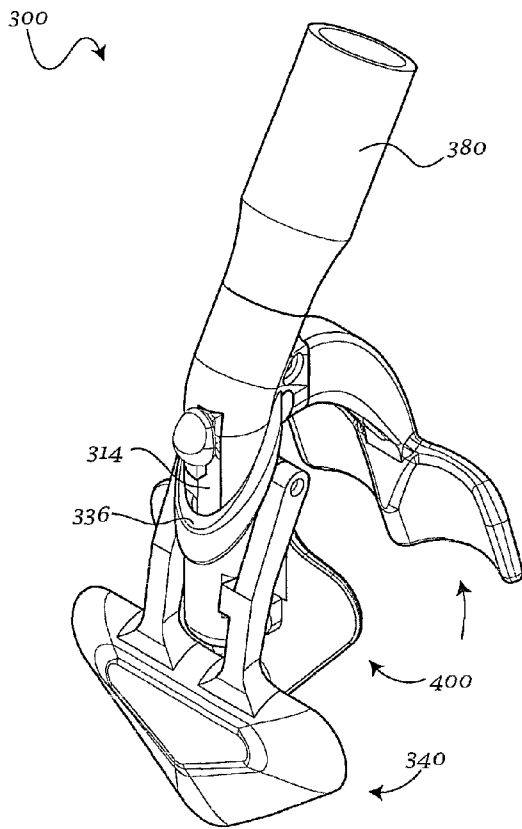


Fig. 3a

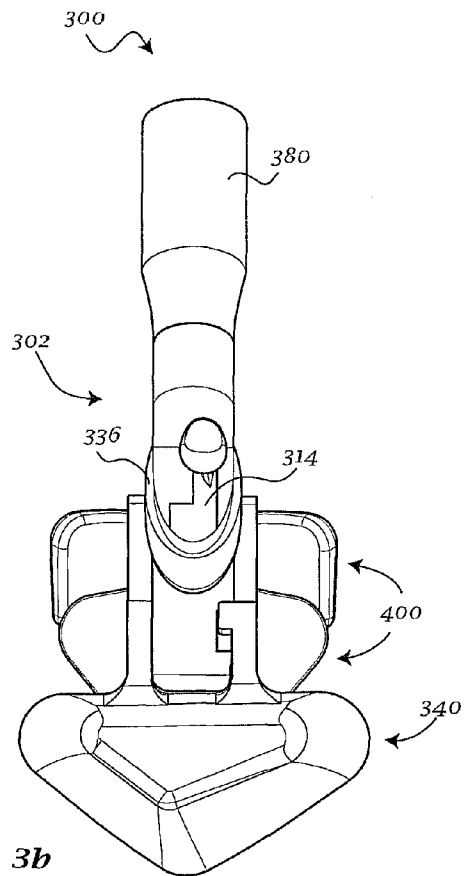


Fig. 3b

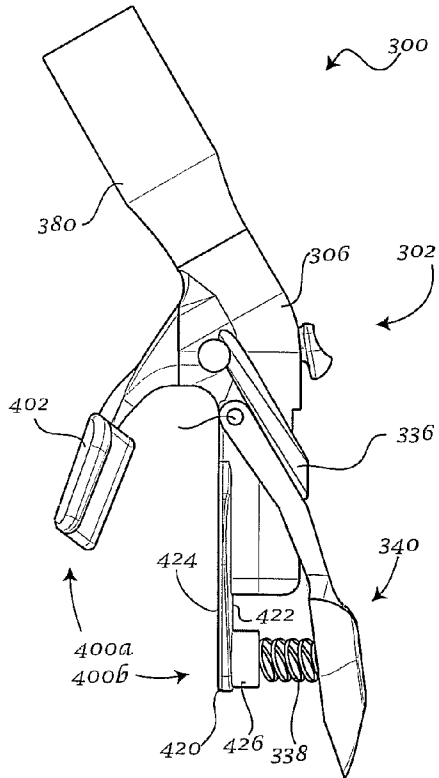


Fig. 3c

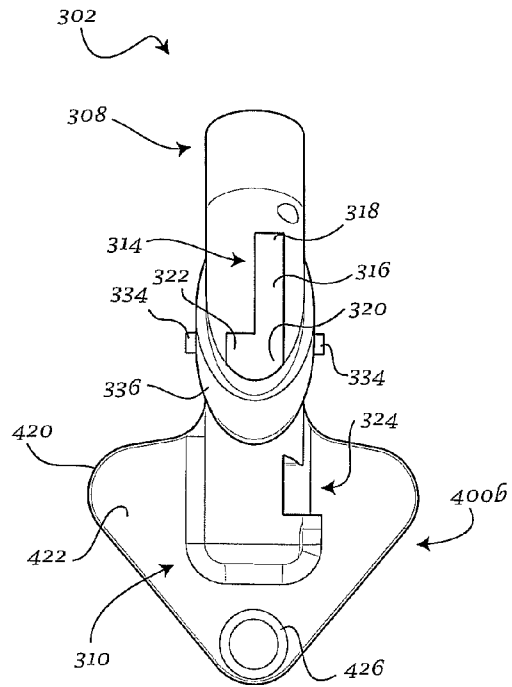


Fig. 3d

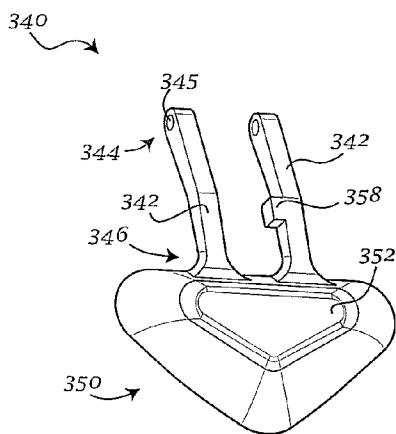


Fig. 4a

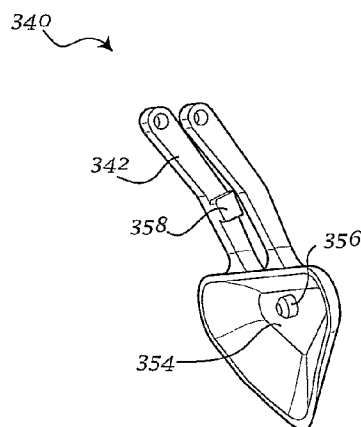


Fig. 4b

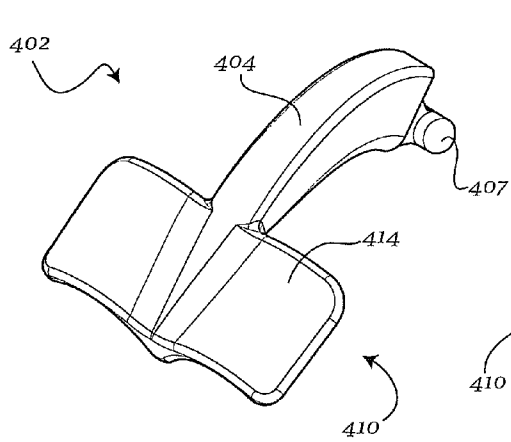


Fig. 5a

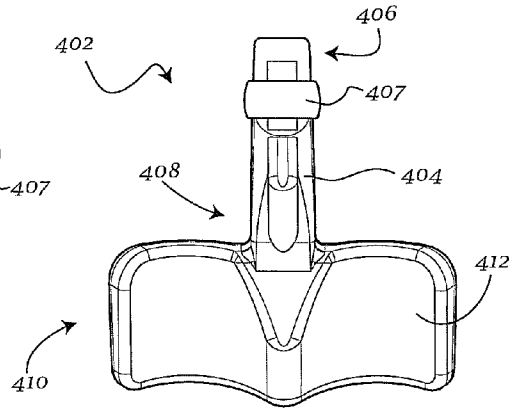


Fig. 5b

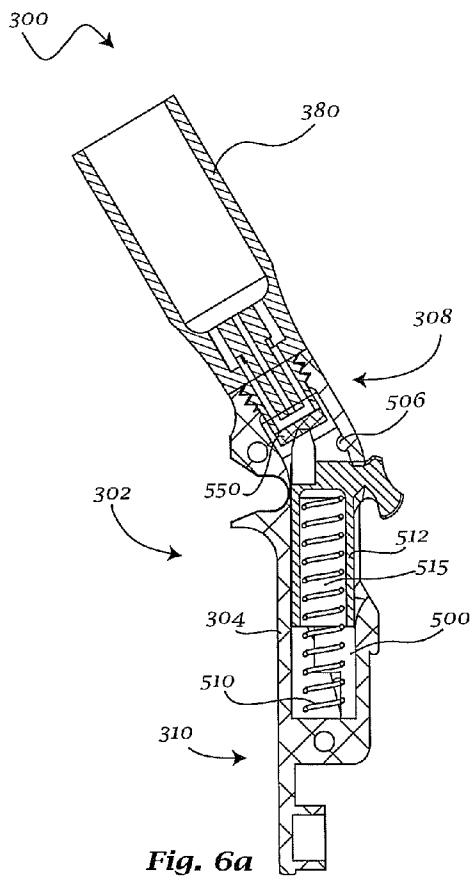


Fig. 6a

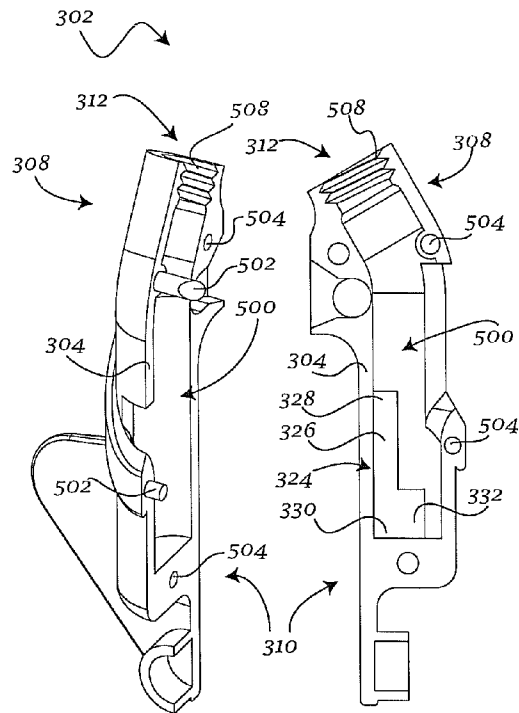


Fig. 6b

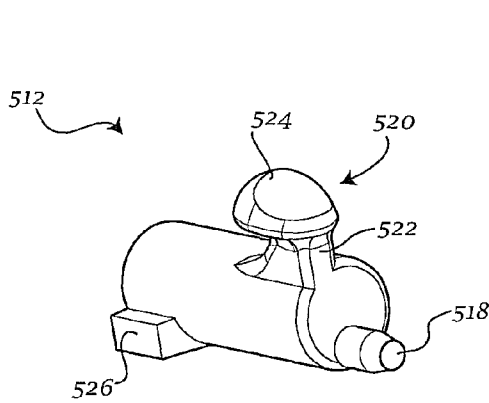


Fig. 7a

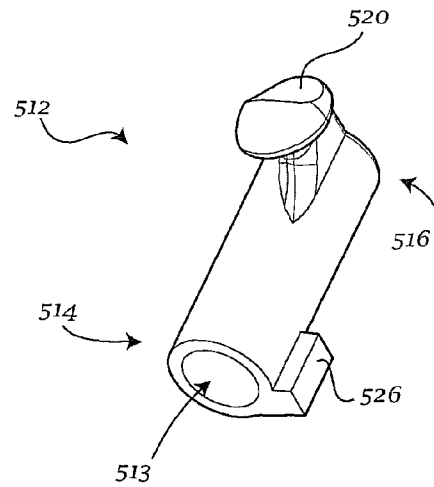


Fig. 7b

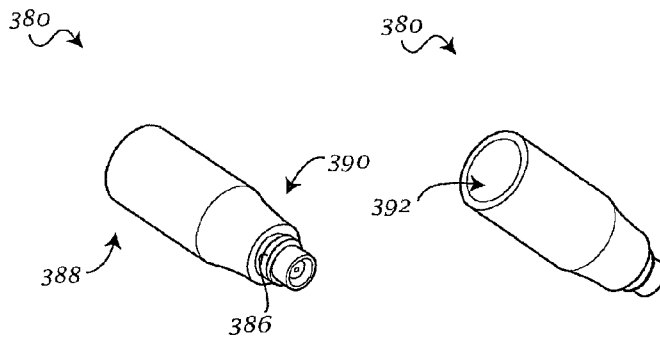


Fig. 8a

Fig. 8b

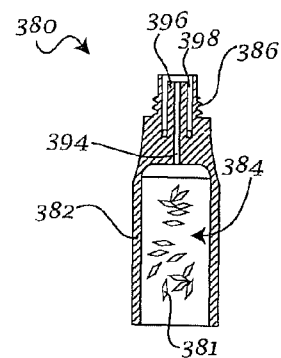


Fig. 8c

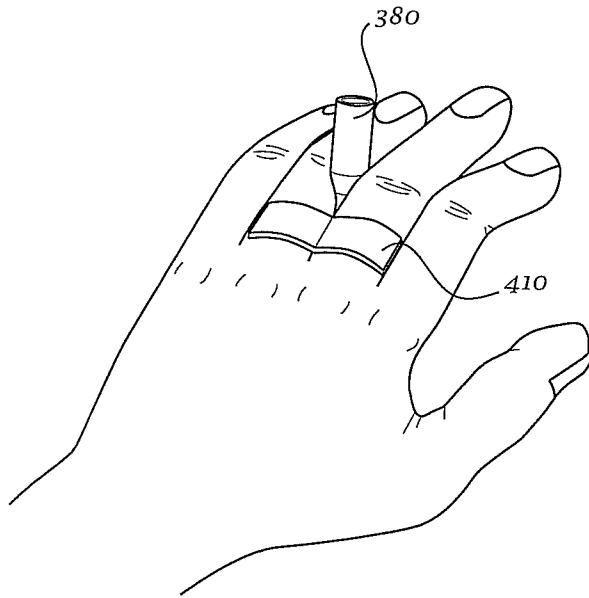


Fig. 9a

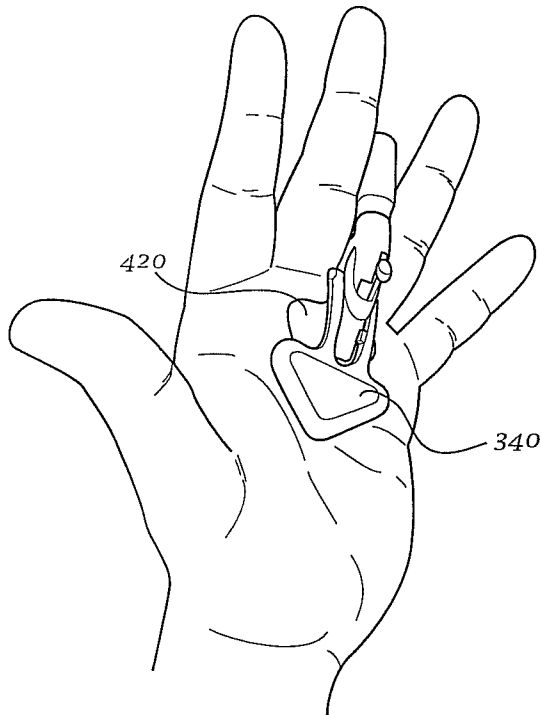


Fig. 9b

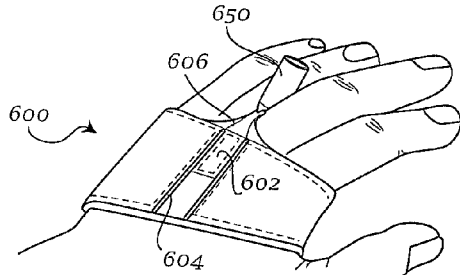


Fig. 10a

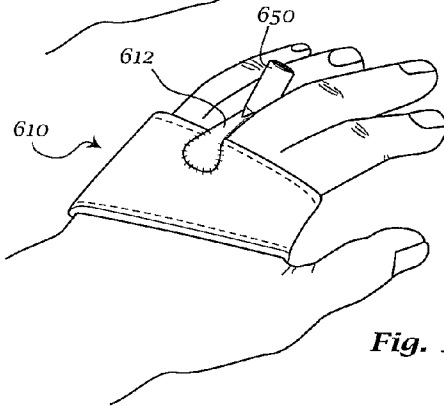


Fig. 10b

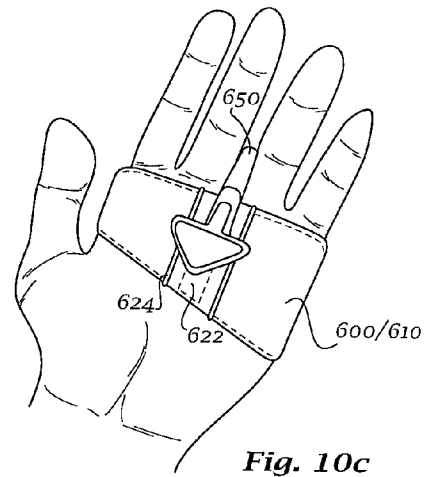


Fig. 10c

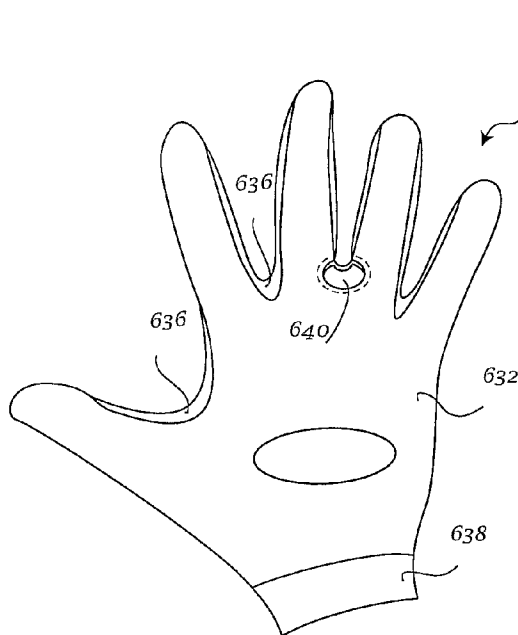


Fig. 10d

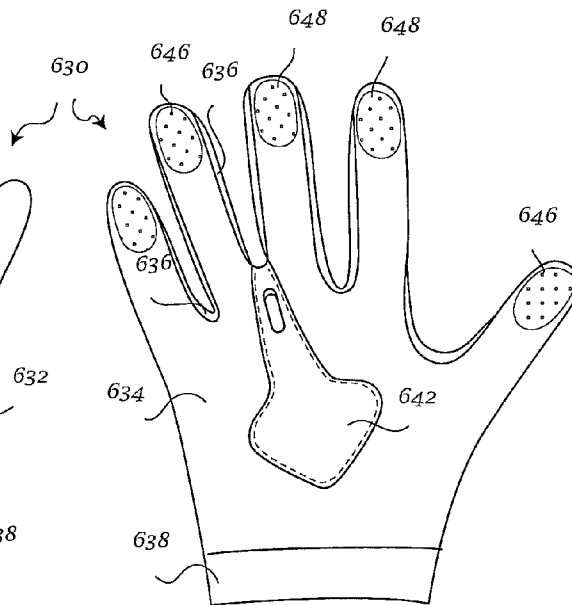


Fig. 10e

DEVICE FOR SCATTERING CONFETTI**CROSS-REFERENCE TO RELATED APPLICATIONS**

This application claims priority to U.S. Provisional Patent Application No. 61/348,175, filed May 25, 2010 and entitled DEVICE FOR SCATTERING CONFETTI, the entire contents of which are hereby incorporated by reference.

BACKGROUND

Confetti is widely used during parades, celebrations, weddings, sports events and other joyful occasions to enhance the celebratory ambiance of the event. The confetti is typically scattered by hand or dispersed by shaking containers. This requires that a person's hands be occupied with scattering confetti and can detract from the person's participation in celebratory gestures, embraces, and other expressions of happiness.

For example, one well-known gesture used to express celebration, congratulations, or success is the "high-five" gesture, wherein two people, with hands stretched above their heads, join the palms of their hands together. The palms are typically joined with force, resulting in a clapping sound. However, an individual who has confetti in the hands may not be able to participate in such a gesture without losing the confetti, and an individual participating in the gesture may not be able to simultaneously scatter confetti.

As confetti can enhance the celebratory feeling of any gesture, even the "high-five," a solution for scattering confetti while performing gestures is desired.

SUMMARY

According to at least one exemplary embodiment, a device for scattering confetti may be disclosed. The device may include a body, a container, coupled to the body, and having confetti disposed therein, and at least one retaining structure for maintaining the device in a hand of a person. A portion of the body may be disposed in the palm of the hand, while one or both of the body and the container may further include at least one component for releasing confetti from the container.

According to another exemplary embodiment, a device for scattering confetti may be disclosed. The device can include a body, a cavity defined within the body, and having a proximal end and a distal end, a piston disposed in the cavity and moveable between the proximal end of the cavity and the distal end of the cavity, a container removably coupled to the body and having confetti disposed therein, a detonative charge, disposed between the piston and the confetti, and at least one retaining structure for maintaining the device in a hand of a person. The device can further include a trigger, wherein a movement of the trigger results in a movement of the piston. The movement of the piston can result in the detonation of the charge.

According to another exemplary embodiment, a hand apparel for use with a device for scattering confetti may be disclosed. The hand apparel can include a pocket disposed on the hand apparel such that the pocket is disposed proximate to the palm of a hand, wherein the pocket is adapted to receive a portion of the device for spreading confetti. The hand apparel may be a glove or may be a band encircling the hand substantially above the thumb and below the fingers.

BRIEF DESCRIPTION OF THE FIGURES

Advantages of embodiments of the present invention will be apparent from the following detailed description of the

exemplary embodiments. The following detailed description should be considered in conjunction with the accompanying figures in which:

FIGS. 1a-1e show a first exemplary embodiment of a device for scattering confetti.

FIGS. 2a-2c show a second exemplary embodiment of a device for scattering confetti.

FIGS. 3a-3d show a third exemplary embodiment of a device for scattering confetti.

FIGS. 4a-4b show an exemplary trigger for a device for scattering confetti.

FIGS. 5a-5b show an exemplary finger rest for a device for scattering confetti.

FIGS. 6a-6b show interior views of a third exemplary embodiment of a device for scattering confetti.

FIGS. 7a-7b show an exemplary piston for a device for scattering confetti.

FIGS. 8a-8c show an exemplary confetti container for a device for scattering confetti.

FIGS. 9a-9b show an exemplary embodiment of a device for scattering confetti attached to a user's hand.

FIGS. 10a-10e show exemplary embodiments of hand apparel for use with a device for scattering confetti.

DETAILED DESCRIPTION

Aspects of the invention are disclosed in the following description and related drawings directed to specific embodiments of the invention. Alternate embodiments may be devised without departing from the spirit or the scope of the invention. Additionally, well-known elements of exemplary embodiments of the invention will not be described in detail or will be omitted so as not to obscure the relevant details of the invention. Further, to facilitate an understanding of the description discussion of several terms used herein follows.

As used herein, the word "exemplary" means "serving as an example, instance or illustration." The embodiments described herein are not limiting, but rather are exemplary only. It should be understood that the described embodiment are not necessarily to be construed as preferred or advantageous over other embodiments. Moreover, the terms "embodiments of the invention", "embodiments" or "invention" do not require that all embodiments of the invention include the discussed feature, advantage or mode of operation.

Referring generally to FIGS. 1a-10e, a device for scattering confetti may be disclosed. The device for scattering confetti may be configured to fit in the palm of a user and may include at least one structure for comfortably retaining the device within the palm of the user. The retaining structures may extend around the hand, wrist, or fingers of the user. The device may include a body and a container wherein confetti may be stored. The body may further include an extension. At least one component for ejecting confetti may be disposed in the body, the extension, the container, or any combination of the body, the extension and the container.

The retaining structures of the device for scattering confetti may include, but are not limited to, straps, finger rests, palm rests, clips, or any other retaining structures that enable the device to function as disclosed herein. In some embodiments, the retaining structures may be configured such that a portion of the device can be disposed between the middle and ring fingers of the hand. In some embodiments, the retaining structures may be coupled to the body of the device or may be formed integral with the body. The device may further be

adapted to be attached to a glove or a sleeve, and the glove and sleeve may in turn be adapted to be attached to the confetti scattering device.

At least one component for ejecting confetti of the device may include, but is not limited to, an air bladder, a spring release, and a string pulley. The air bladder may be resiliently deformable, and may contain a sufficient quantity of air to generate a positive air pressure force for expelling confetti from the container. The positive air pressure generated by expulsion of air from the bladder may directly act on the confetti so as to expel it from the container. Alternatively, the positive air pressure may expel a bag or pouch from the container, where the pouch contains confetti and is turned inside out by the air pressure force, thereby expelling the confetti. The positive air pressure may also release a spring, which can then act on the confetti so as to release it from the container. The positive air pressure may also act on a piston, which may have a pin, which can then set off a detonative charge that can generate additional positive air pressure to release confetti from the container. The charge may be disposed external or internal to the confetti container and may be disposed between the piston and the confetti. The piston may alternatively release a spring that can then release the confetti from the container. Alternatively, the piston or spring may trigger a secondary spring disposed internal to the confetti container, which then can then act to release the confetti from the container.

The spring release triggering mechanism may include a trigger, which may be, but is not limited to, a button, a lever, or any other trigger that allows the device for scattering confetti to function as disclosed herein. The trigger can then act on a spring, which can then act on the confetti so as to release it from the container. Alternatively, the trigger can act on a spring, which can then set off a detonative charge that can release confetti from the container. The spring may need to be reset after being activated, and the confetti scattering device may include structures for resetting the spring. Additional resilient members may be provided so as to return the trigger to an initial position after being activated. The trigger or the spring may also act on a piston, which may have a pin, which can then set off a detonative charge that can generate additional positive air pressure to release confetti from the container. The charge may be disposed external or internal to the confetti container and may be disposed between the piston and the confetti.

The string pulley triggering mechanism may include a string, cord, strap, loop or any other member that may be pulled and that allows the device for scattering confetti to function as disclosed herein. The string pulley can then act on a spring, which can then act on the confetti so as to release it from the container. Alternatively, the string pulley can act on a spring, which can then set off a detonative charge that can release confetti from the container.

The container where the confetti may be stored may be integral to the device for scattering confetti or may be removably coupled to the device. A proximal end of the container may be adapted for coupling to the confetti scattering device. The confetti may be stored within a cavity in the container, and the container may be reloadable or may be configured for single use. The container may include a first aperture at a distal end thereof, through which aperture the confetti may be released. The container may further include a second aperture at the proximal end thereof, through which aperture an air pressure force may enter the container so as to exert pressure upon and to release the confetti.

In some embodiments, at least one component for ejecting confetti may be disposed within the container. For example,

the container may further include a bag or pouch wherein the confetti may be stored. The bag or pouch may be adapted to release the confetti, for example, by turning inside out, when a force acts upon the bag. The bag may further be adapted for repeated use.

The detonative charge may include, but is not limited to, a percussion cap such as that used for cap guns, a cartridge containing a propellant gas such as CO₂, a propellant powder, or impact-sensitive silver fulminate (AgONC). Furthermore, the charge may include a composition that is compliant with United Nations Organization Hazard Class and Division code 1.4S, or any corresponding or equivalent national hazardous material classifications.

When the body of the device is disposed in the palm of the user, the body and container may be oriented such that a portion of the body and a portion of the container are disposed between the middle and ring fingers of the hand, and such that a portion of the container is proximate the back side of the hand. Furthermore, the container may be oriented such that, when the fingers of the hand are extended, an acute angle is formed between the tips of the fingers and the distal end of the container. Other orientations for the container may be contemplated and provided as desired, for example, but not limited to, a portion of the container being oriented parallel to the fingers, a portion of the container being disposed on the inside of the hand or the fingers, a portion of the container being oriented perpendicular to the fingers, or the container having a forked configuration with a plurality of distal ends having apertures through which the confetti may be released.

FIGS. 1a-1b show an exemplary embodiment of a device for scattering confetti 100. This embodiment of device 100 may be adapted for single use, or may be manually reloaded by the user. Device 100 may include a body 102, a retaining structure 180, and a confetti container 150 having confetti 101 therein. In the exemplary embodiment, body 102 may include an air bladder 104, and container 150 may be integral with body 102. Body 102 may have a spherical shape, an ellipsoid shape, or any other desired shape that enables device 100 to function as described herein.

Air bladder 104 may be formed such that it is resiliently deformable under application of pressure. To that end, air bladder 104 may be formed from a variety of materials, such as, for example, rubber, latex, polyethylene, or any desired material that enables device 100 to function as described herein. Air bladder 104 may further include reinforcing structures. The volume of air bladder 104 can be sufficient to expel confetti 101 from container 150. In some embodiments, air bladder 104 may have a length and height of approximately 4.45 cm (1.75 in) and a width of 2.5 cm (1.0 in), although these dimensions are exemplary and should not be considered limiting.

Retaining structure 180 may be, for example, a strap 182, and may be coupled to body 102. Strap 182 may have a length sufficient to extend around the hand of the user, may have an adjustable length. Strap 182 may include a fastener, for example a hook-and-loop fastener, snap fastener, a button fastener, or any other fastener known in the art. Strap 182 may further be elastic. Alternatively, retaining structure 180 may be an adhesive 184 for attaching body 102 to the palm of the user's hand, or may be a glove having device 100 disposed therein such that body 102 is disposed in the palm of the user's hand when the glove is worn. The glove may be formed from any desired material, including, but not limited to, nylon, spandex, lycra, leather, synthetic leather, and the like.

Container 150 may have an elongated shape, an outer wall 152 enclosing a cavity 154, and may include a bend 156 in a portion of its length. Container 150 may further have a circu-

5

lar cross-section, an elliptical cross-section, or any desired cross-section that enables device **100** to function as described herein. Container **150** may include a distal end **158** and a proximal end **160**, with first aperture **162** defined in distal end **158**, and second aperture **164** being defined in proximal end **160**. Confetti **101** may be disposed in cavity **154** between the distal and proximal ends of the container. To retain the confetti within container **150**, a cap **166** may be removably coupled to container **150** proximate first aperture **158**, and a one-way valve **168** may be disposed proximate second aperture **164**. Upon application of positive air pressure from air bladder **104**, valve **168** may open and cap **166** may decouple from container **150**, allowing confetti **101** to be released.

In some embodiments, container **150** may have a length of approximately 5.1-7.6 mm (2.0-3.0 in) and a diameter of 1.0 cm (0.39 in), although these dimensions are exemplary, should not be considered limiting, and may vary depending on the desired amount of confetti **101** to be stored within container **150**. Valve **168** may be formed, for example, from a resilient material having cross-slits defined therein, may be formed from a paper or tissue material that is adapted to rupture under application of positive air pressure from air bladder **104**, or any other desired material that enables device **100** to function as described herein. Cap **166** may be removably coupled to container **150** such that it is easily decouplable therefrom under application of positive air pressure from air bladder **104**. Cap **166** may be formed from paper, cardboard, tissue material, foam, or any other desired material that enables device **100** to function as described herein.

FIGS. **1c-1d** show an exemplary embodiment of confetti scattering device **100** attached to a user's hand **10**. Body **102** of device **100** may be disposed in the palm **12** of the hand, with strap **172** extending around the backside **14** of the hand **10**. Alternatively, an adhesive may be disposed on body **102** and coupled to the palm **12**. Container **150** of device **100** may extend between the middle finger **16** and ring finger **18** of hand **10**. The angle of container **150** may be such that when device **100** is attached to a user's hand and the user's fingers are fully extended, an acute angle can exist between distal end **158** and the tips of the fingers. The angle of container **150** facilitates directing the confetti **101** upward and rearward in relation to the user's hand when the user's hand is in a substantially vertical orientation, such as, for example, the orientation typically used for a "high five" gesture.

FIG. **1e** shows an exemplary embodiment of confetti scattering device **100** in operation during a "high five" gesture. The collision between hand **10** having device **100** attached thereto, and a second hand **20** exerts pressure **F** on air bladder **104** of body **102**, thereby directing positive air pressure **P** through second aperture **164**, container **150**, and first aperture **162**. The confetti **101** is thus ejected from container **100** in a substantially upward and backward direction with relation to hand **10**.

FIGS. **2a-2c** show another exemplary embodiment of a device for scattering confetti **200**. This embodiment of device **200** may be adapted for repeated uses via a replaceable container. Device **200** may include a body **202**, a retaining structure **280**, and a confetti container **250** having confetti **201** therein. In the exemplary embodiment, container **250** may be removably coupled to body **202**, while body **202** may include an air bladder **204** and an extension **210**. Body **202** may have a spherical shape, an ellipsoid shape, or any other desired shape that enables device **200** to function as described herein.

Air bladder **204** may be formed such that it is resiliently deformable under application of pressure substantially similar to the force exerted in a "high-five" gesture. To that end, air bladder **204** may be formed from a variety of materials, such

6

as, for example, rubber, latex, polyethylene, or any desired material that enables device **200** to function as described herein. Air bladder **204** may further include reinforcing structures. The volume of air bladder **204** can be sufficient to expel confetti **201** from container **250**. In some embodiments, air bladder **204** may have a length and height of approximately 4.45 cm (1.75 in) and a width of 2.5 cm (1.0 in), although these dimensions are exemplary and should not be considered limiting.

Retaining structure **280** may be a strap **282**, and may be coupled to body **200**. Strap **282** may have a length sufficient to extend around the hand of the user, may have an adjustable length. Strap **282** may include a fastener, snap fastener, a button fastener, or any other fastener known in the art. Strap **182** may further be elastic. Alternatively, retaining structure **280** may be an adhesive for attaching body **202** to the palm of the user's hand, or may be a glove having device **200** disposed therein such that body **202** is disposed in the palm of the user's hand when the glove is worn. The glove may be formed from any desired material, including, but not limited to, nylon, spandex, lycra, leather, synthetic leather, and the like.

Extension **210** may have an elongated shape and an outer wall **212** enclosing a cavity **214**. Extension **210** may further have a circular cross-section, an elliptical cross-section, or any desired cross-section that enables device **210** to function as described herein. Extension **210** may include a distal end **218** and a proximal end **220**, with first aperture **222** defined in distal end **218**, and second aperture **224** being defined in proximal end **220** such that cavity **214** is in fluid communication with air bladder **204**. Extension **210** may include a first protrusion **226** extending into cavity **214** and disposed between first aperture **222** and second aperture **224**, and a second protrusion **228** extending into cavity **214** and disposed between first protrusion **228** and second aperture **224**. Protrusions **228** may be tabs, lips, or any other desired structures extending into cavity **214** of extension **210**. Protrusions **228** may be formed integral with extension **210**. Extension **210** may further include cutouts **230** defined in outer wall **212** and disposed between first protrusion **226** and first aperture **222**.

In some embodiments, extension **210** may have a length of approximately 5.1-7.6 mm (2.0-3.0 in) and a diameter of 1.0 cm (0.39 in), although these dimensions are exemplary, should not be considered limiting, and may vary.

Disposed within cavity **214** and between first and second protrusions **226**, **228** may be a piston **232**. Piston **232** may include a base portion **234** and a pin **236** disposed on a distal end of the base portion. Base portion **234** may have a diameter less than the diameter of cavity **214** but greater than the diameter between protrusions **226**, **228**. The piston can thus be able to move within extension **214** without friction against wall **212**, while the protrusions **226**, **228** can limit the movement of piston **232** to between an initial position proximate second protrusion **228** and a final position proximate first protrusion **226**. Furthermore, the diameter of base portion **234** may be such so as to reduce the likelihood of piston **232** tilting or becoming dislodged within extension **210**. Upon application of positive air pressure from air bladder **204**, piston **232** may be moved from the initial position to the final position, and upon removal of positive air pressure from air bladder **204**, piston **232** may retreat to the initial position.

Disposed between piston **232** and first protrusion **226** may be a resilient member, such as a spring **238**. Spring **238** may have a diameter less than the diameter of cavity **214** but greater than the diameter between protrusions **226**, **228**. Spring **238** can facilitate moving piston **232** from the final position to the initial position after the removal of positive air pressure from air bladder **204**. Spring **238** may be a light

tension spring, and may be formed, as a non-limiting example, from plastic, metal, or any other desired material. Alternatively, any resilient member that enables device 200 to function as disclosed herein may be used in place of spring 238.

Turning to FIG. 2b, container 250 may have an elongated shape, and an outer wall 252 enclosing a cavity 254. Container 250 may include a distal end 258 and a proximal end 260, with first aperture 262 defined in distal end 258, and second aperture 264 defined in proximal end 260. The diameter of second aperture 264 may be slightly greater than the diameter of pin 236, such that pin 236 may be received therein. Confetti 201 may be disposed within cavity 254 of container 250. To retain the confetti within container 250, a cap 266 may be removably coupled to container 250 proximate first aperture 262. Cap 266 may be formed from paper, cardboard, tissue material, foam, or any other desired material that enables device 200 to function as described herein. Additionally, disposed on the exterior of wall 252 may be protruding clips 256, which may be resilient and which may be positioned and sized to be received within cutouts 230 of extension 210. However, it should be appreciated that container 250 may be retained within extension 210 without the use of clips 256 and cutouts 230, for example, by friction fit, snap fit, threads, or any other desired retention that enables device 200 to function as described herein.

The diameter of container 250 may be slightly less than the diameter of cavity 214 such that container 250 can be slid into cavity 214 and fit snugly therein. Container 250 may further have a cross-section substantially similar to the cross-section of extension 210. The length of container 250 may vary depending on the desired amount of confetti 201 to be stored within container 250. However, the distance between distal end 258 of container 250 and clips 256 may be greater than the distance between distal end 218 of extension 210 and cutouts 230 of extension 210. This can provide a portion of container 250 that may be gripped by the user, in order, for example, to withdraw container 250 from extension 210. Furthermore, when container 250 is disposed within extension 210, the proximal end 260 of container 250 may be positioned such that a portion of pin 236 can penetrate second aperture 264.

Container 250 may further include a detonative charge 268 and a separator 270 within cavity 254. Charge 268 may be disposed substantially proximate proximal end 220 such that charge 268 is between piston 232 and confetti 201, while separator 270 may be disposed between charge 268 and confetti 201. Separator 270 can reduce the likelihood of confetti 201 igniting upon combustion of charge 268 and can further facilitate expelling confetti 201 from container 250. Charge 268 may be, but is not limited to, a percussion cap such as that used for cap guns, a cartridge containing a propellant gas such as CO₂, a propellant powder, or impact-sensitive silver fulminate (AgONC). Furthermore, the charge may include a composition that is compliant with United Nations Organization Hazard Class and Division code 1.4S, or any corresponding or equivalent national hazardous material classifications. Separator 270 may have a planar shape substantially similar to the cross-section of formed from a lightweight, tough material that can withstand the explosive force of charge 268 without breaking. As a non-limiting example, such materials may include cardboard, heavy paper, plastic, foam, or any other desired material that enables device 200 to function as described herein.

FIG. 2c shows an exemplary embodiment of confetti scattering device 200 in operation. As pressure F is exerted on air bladder 204, positive air pressure P₁ is directed through sec-

ond aperture 224 of extension 210. The positive air pressure P₁ can force piston 232 with pin 236 from the initial position to the final position. As it approaches the final position, pin 236 is directed through second aperture 264 of container 150, so as to strike charge 268, thereby igniting the charge. A major proportion of the positive air pressure P₂ generated by the ignition of charge 268 can be directed toward separator 270, confetti 201 and cap 266. Cap 266 can thus decouple from first aperture 262 of container 250 and the confetti can be ejected through first aperture 262. Additionally, a minor proportion of the positive air pressure P₂ generated by the ignition of charge 268 can be directed through second aperture 264, facilitating the ejection of container 250 from extension 210. The used container can then be discarded, while body 202 can be reused in conjunction with a new container.

FIGS. 3a-3d and 6a-6b show another exemplary embodiment of a device for scattering confetti 300. Device 300 can include a body 302, at least one retaining structure 400, and a container 380 removably coupled to body 302. At least one retaining structure 380 may be coupled to body 302 or may be formed integral with body 302. Body 302, retaining structures 380, and container 380 may be formed from, as a non-limiting examples, plastic, metal, or any other material that enables device 300 to function as described herein. In some embodiments, body 302, retaining structures 400, and container 380 may be formed from two complementary halves that can be joined together to form body 302. Device 300 may further include any desired surface covering and may include any desired ornamentation or indicia disposed on the surface thereof. Furthermore, device 300 may be formed in any desired shape and may have decorative elements formed integral therewith, while retaining the functionality of device 300 as described herein.

Body 302 may have an elongated shape, an outer wall 304 enclosing a cavity 500, and may include a bend 306 in a portion of its length. Cavity 500 may further have a circular cross-section, an elliptical cross-section, or any desired cross-section that enables device 300 to function as described herein. Body 302 may include a distal end 308 having an aperture 312 defined therein, and a closed proximal end 310. Furthermore, as used herein, the term "longitudinal axis of body 302" should be understood to include only the portion of body 302 between proximal end 308 and bend 306.

Defined in the outer wall 304 of body 302 may be first opening 314 and second opening 324. Openings 314, 324 can be in communication with cavity 500 and the exterior of body 302. First opening 314 may have a longitudinal portion 316 having a distal end 318 and a proximal end 320 and extending substantially lengthwise along body 302, and a transverse portion 322 located at proximal end 320 and extending substantially circumferentially along body 302. Similarly, second opening 324 may have a longitudinal portion 326 having a distal end 328 and a proximal end 330 and extending substantially lengthwise along body 302, and a transverse portion 332 located at proximal end 330 and extending substantially circumferentially along body 302.

Disposed substantially proximate distal end 308 of body 302 may be a retention structure 400a, which may be, for example, a finger rest 402. Disposed substantially near proximal end 310 of body 302 may be a retention structure 400b, which may be, for example, a palm rest 420. Retention structures 400 may be coupled to body 302 or may be integrally formed with body 302.

Body 302 can further include trigger coupling structures 334 for pivotably coupling a trigger 340 to body 302. Trigger coupling structures 334 may be male structures such as pins or tabs, female structures such as recesses, or any other struc-

ture that allows device **300** to function as described herein. A stopper **336** may be provided on body **302** for engaging a portion of trigger **340**, so as to limit the movement of trigger **340** or to define a furthest limit for the movement of trigger **340**.

FIGS. **4a-4-b** show a detail of trigger **340**. Trigger **340** may include at least one arm **342** having a first end **344** and a second end **346**. First end **344** may include body coupling structures **345** for pivotably coupling trigger **340** to body **302** by engaging trigger coupling structures **334**. Body coupling structures may be female structures such as recesses, male structures such as pins or tabs, or any other structure that allows device **300** to function as described herein. A pad **350** may be disposed at the second end **346** of arm **342**. Pad **350** may have any desired shape, for example a triangular shape, a triangular with rounded corners shape, a heart shape, and so forth. Pad **350** may have an engagement surface **352** which may be convex, and a spring engaging surface **354**, which may include a first spring mounting structure **356** for retaining a resilient member **338**, for example a spring. Resilient member **338** may be provided between pad **350** and palm rest **420** to facilitate returning trigger **340** to its furthest limit of movement after trigger **340** has been depressed, for example by pressing on engagement surface **352**.

Arm **342** of trigger **340** may include a trigger tab **358** disposed thereon. Trigger tab **358** may protrude from arm **342**, and may extend towards body **302** when the trigger is mounted on the body. If trigger **340** includes more than one arm **342**, trigger tab **358** can be disposed on one of the arms **342**.

A detail of finger rest **402** may be shown in FIGS. **5a-5b**. The finger rest can include a stem **404** having a first end **406** and a second end **408**. In some embodiments, first end **406** may include coupling structures **407** for coupling finger rest **402** to body **302**. Stem **404** may have an arcuate shape such that, when finger rest **402** is coupled to body **302**, a convexly curved side of stem **404** is disposed facing away from body **302**, a concavely curved side of stem **404** is disposed facing toward body **302**, and second end **408** of stem **404** is in closer proximity to proximal end **310** of body **302** than the first end **406** of stem **404**. Second end **408** can include a finger pad **410** extending laterally from stem **404**. Finger pad **410** may have a finger engaging face **412** and an outward face **414**. Finger pad **410** may have any desired contour, for example, rectangular, oval, or a decorative shape, and may have decorative indicia thereon, for example on outward face **414**. Finger pad **410** may have a longitudinal axis which may be perpendicular to the longitudinal axis of stem **404**. Finger engaging face **412** may be a doubly arched surface, which can facilitate comfortably engaging the middle and ring fingers of the user when device **302** is placed in the hand.

Palm rest **420** can be substantially planar, and can extend away substantially from proximal end **310** of body **302** such that an axis of palm rest **420** can be substantially parallel to the longitudinal axis of body **302** and such that a palm engaging face **422** of palm rest **420** is positioned facing finger engaging face **412** of finger pad **410**. A spring-engaging face **424** of palm rest **420** may include a second spring mounting structure **426** for retaining resilient member **338**. Palm rest **420** may have a shape that facilitates comfortably fitting palm rest **420** in the palm of a user, for example, a triangular shape, a triangular with rounded corners shape, a heart shape, or any such shape that allows device **300** to function as described herein.

FIGS. **6a-6b** are exemplary cutaway views of body **302** showing cavity **500**. In some embodiments, wherein body **302** is formed from two halves, body **302** may include cou-

pling structures such as pins **502** on one half that may couple to sleeves **504** on the other half. Body **302** may further include sleeves **504** for receiving fasteners such as screws for coupling the halves together. Disposed within cavity **500** and substantially proximate bend **306** may be stoppers **506**. In some embodiments, pins **502** and sleeves **504** may function as stoppers **506**.

Located substantially at distal end **308** and proximate aperture **312** may be container coupling members **508**, which may be grooves, threads, tabs, indentations, lips, indentations, or any other coupling member that enables device **300** to function as described herein. Container coupling members **508** may be adapted to engage complementary coupling members **386** on container **380**.

Disposed within cavity **500** and abutting proximal end **310** may be firing spring **510**. Firing spring **510** may be a spring or any other resilient member that allows device **300** to function as described herein. Disposed between spring **510** and distal end **308** may be a piston **512**, a detail of which may be shown in FIGS. **7a-7b**. Piston **512** may have a proximal end **514** and a distal end **516**, and may have a length shorter than the distance between proximal end **310** and stoppers **506**, thereby allowing piston **512** to move longitudinally within cavity **500**. Piston **512** may have diameter that is slightly smaller than the diameter of cavity **500**, allowing for piston **512** to move within cavity **500** with minimal friction, as well as to rotate about its longitudinal axis.

Piston **512** may include an aperture **513** defined in the proximal end **514** of piston **512**, and a cavity **515**, which may be sized to receive spring **510**. Piston **512** may include a pin **518** disposed at the distal end **516** thereof. Pin **518** may have a length such that, when piston **512** is abutting stoppers **506**, pin **518** can protrude beyond stoppers **506**.

Piston **512** may further include a reset tab **520** and a firing tab **526**. Reset tab may be disposed substantially near distal end **516** of piston **512**. Reset tab **520** may have a head **522** connected to a stem **524**, the stem **524** being connected to piston **512** and sized to be received within first opening **314** of body **302**. Head **522** may be disposed external to body **302** and can provide a surface that may be engaged and manipulated by the user, for example with the user's finger. Firing tab **526** may be disposed substantially near proximal end **514** of piston **512**. Firing **526** tab may be sized to be received within second opening **324** of body **302** and may be engaged by trigger tab **358** of an arm **342** of trigger **340**.

Turning to FIGS. **8a-8c**, container **380** may have an elongated shape and an outer wall **382** enclosing a cavity **384**. Container **380** may include a distal end **388** having an aperture **392** defined therein, and a proximal end **390**. A portion of container **380** may taper towards proximal end **390**. Proximal end **390** may include complementary coupling members **386**, which may be grooves, threads, tabs, indentations, lips, indentations, or any other coupling member that enables device **300** to function as described herein. Complementary coupling members **386** may be adapted to engage container coupling members **508** of body **302**.

Also located at proximal end **390** of container **380** may be an inner cylinder **396** having a bore **394** defined therethrough. Inner cylinder **396** may be separated from coupling members **386** by an annular groove **398**. Bore **394** may be in fluid communication with cavity **384** of cylinder **380** and the environment external to cylinder **380**.

As shown in FIG. **6a**, a detonative charge **550** may be coupled to the proximal end **390** of container **380** such that charge **550** is disposed over proximal end **390**, including bore **394**. Charge **550** may be, but is not limited to, a percussion cap such as that used for cap guns, a cartridge containing a

propellant gas such as CO₂, a propellant powder, or impact-sensitive silver fulminate (AgONC). Furthermore, the charge may include a composition that is compliant with United Nations Organization Hazard Class and Division code 1.4S, or any corresponding or equivalent national hazardous material classifications.

The diameter of proximal end 390 of container 380 may be substantially similar to the diameter of distal end 308 of body 302, such that coupling container 380 to body 302 produces a flush fit between the container and the body. Container coupling members 508 of body 302 and complementary coupling members 386 of container 380 can couple so as to form a secure coupling that can withstand the detonation force of charge 550. When container 380 is coupled to body 302, charge 550 may be disposed between container 380 and stoppers 506 that are disposed in cavity 500.

Confetti 381 may be disposed within cavity 384 of container 380. To retain the confetti within container 380, a cap may be removably coupled to container 380 proximate aperture 392. The cap may be foamed from paper, cardboard, tissue material, foam, or any other desired material that enables device 300 to function as described herein. Furthermore, disposed between confetti 381 and proximal end 390 of container 380 may be a separator. The separator can reduce the likelihood of confetti 381 igniting upon combustion of charge 550 and can further facilitate expelling confetti 381 from container 380. The separator may have a planar shape substantially similar to the cross-section of formed from a lightweight, tough material that can withstand the explosive force of charge 550 without breaking. As a non-limiting example, such materials may include cardboard, heavy paper, plastic, foam, or any other desired material that enables device 300 to function as described herein.

The use and operation of the device for scattering confetti 300 may now be described. As shown in FIGS. 9a-9b, when confetti scattering device 300 is placed in the hand of a user, palm rest 420 can be disposed in the palm of the hand, while stem 404 of finger rest 402 can extend between the middle and ring fingers of the hand, and finger pad 410 can engage the backs of the middle and ring fingers. Trigger 340 can be disposed outward from the palm of the hand and palm rest 420, and may be positioned at its furthest limit. When the fingers of the hand are fully extended, the portion of body 302 between proximal end 310 and bend 306 can extend substantially parallel to the fingers, while the portion of the body between bend 306 and distal end 308 can extend between the middle finger and ring finger. The angle of the portion of the body between bend 306 and distal end 308 may be such that when device 300 is disposed in a user's hand and the user's fingers are fully extended, an acute angle exists between distal end 308 and the tips of the fingers. Such an angle facilitates directing the confetti 381 upward and rearward in relation to the user's hand when the user's hand is in a substantially vertical orientation, such as, for example, the orientation typically used for a "high five" gesture.

Device 300 can be in a "safe" mode, as described below. When device 300 is in the "safe" mode, container 380 may be coupled to the device. Subsequent to coupling the container, and when desired by the user, device 300 may be reset into the "loaded" mode, in which device 300 can be ready to fire and eject confetti 381 from cylinder 380.

When piston 512 is in a distal position, reset tab 520 may be disposed at distal end 318 of longitudinal portion 316 of first opening 314, and firing tab 526 may be disposed at distal end 328 of longitudinal portion 326 of second opening 324. In the distal position, piston 512 abuts stoppers 506, and device 300 may be considered to be in the "safe" mode, wherein depress-

ing trigger 340 has no effect, even if a cylinder 380 is coupled to body 300. To reset device 300 into the "loaded" mode, the user may engage head 522 of reset tab 520 and move tab 520 towards the proximal end 320 of longitudinal portion 316 of first opening 312. The user may then move reset tab 520 laterally into transverse portion 322 of first opening 314, which can rotate piston 512 and can move firing tab 526 from the proximal end 330 of longitudinal portion 326 of second opening 324 into transverse portion 332 of second opening 324. As firing spring 510 is now compressed, the force of firing spring 510 pushes tabs 520, 526 against the walls of the transverse portions of their respective openings 314, 324, thereby impeding movement of piston 512 from the proximal position.

To "fire" device 300, the user may depress trigger 340 such that trigger tab 358 of arm 342 engages firing tab 526 of piston 512 and moves firing tab 526 from transverse portion 332 of second opening 324 into longitudinal portion 326 of the second opening. As a result, the movement of piston 512 is no longer impeded by the engagement of tabs 520, 526 with the walls of openings 314, 324, and the decompressing spring can rapidly move piston 512 towards the distal position. While movement of piston 512 is impeded by stoppers 506, pin 518 disposed at distal end 516 of piston 512 can have a length that allows pin 518 to protrude sufficiently beyond stoppers 506 so as to strike charge 550, detonating the charge. Alternatively, the movement of piston 512 may be impeded by the wall of the distal end 328 of first opening 514 engaging reset tab 520. Similarly, when piston 512 is in the distal position, pin 518 can have a length that allows the pin to extend sufficiently so as to strike charge 550, detonating the charge.

The positive air pressure generated by the ignition of charge 550 can be directed through bore 394 of cylinder 380, toward the separator, confetti 381, and the cap. The cap can thus decouple from aperture 392 of container 380 and the confetti can be ejected through aperture 392. The empty container 380 can now be decoupled from body 302 and discarded, while body 302 can be reused in conjunction with a new container.

FIGS. 10a-10e show exemplary embodiments of a glove or band having a device for scattering confetti. The glove or band may be formed from any desired material, including, but not limited to, nylon, spandex, lycra, leather, synthetic leather, and the like, and may have portions formed from diverse materials. The device for scattering confetti for use with the glove or band may have a configuration according to any of the embodiments of the device disclosed herein, or may have a different configuration. Certain constituent members of the device for scattering confetti may be replaced with analogous constituent members adapted for the glove or band; however, it should be understood that the functionality of the device can be substantially as disclosed herein.

FIG. 10a shows a back hand view of an exemplary embodiment of a band 600 for use with a device for scattering confetti 650. Band 600 may be resilient and may wrap around the hand of a user, substantially around the palm, above the thumb, and below the fingers. Band 600 may include a pocket 602 located substantially at the back of the hand and below the middle and ring fingers. In this embodiment, device 650 can include a back hand rest in lieu of a finger rest. The back hand rest can be sewn into the band 600 or the pocket 602. Piping 604 and other decorative indicia may also be disposed on band 600. A loop of material 606, or a similar structure may extend from band 600 towards device 650 and may encircle a portion of device 650.

FIG. 10b shows a back hand view of another exemplary embodiment of a band 610 for use with a device for scattering

confetti **650**. Band **610** may be resilient and may wrap around the hand of a user, substantially around the palm, above the thumb, and below the fingers. In this embodiment, the finger rest of device **650** may be removed. A loop of material **612**, or a similar structure may extend from band **610** towards device **650** and may encircle a portion of device **610**.

FIG. **10c** shows the palm view of the exemplary embodiment of band **600** or the exemplary embodiment of band **610**. Band **600/610** may include a pocket **622** located substantially at the palm of the hand, wherein a palm rest of the device **650** can be disposed. In some embodiments, the palm rest may be sewn into the band or the pocket such that device **650** is not separable from band **600/610**. Piping **624** and other decorative indicia may also be disposed on band **600/610**.

FIGS. **10d-10e** show an exemplary embodiment of a glove **630** for use with a device for scattering confetti **650**. The back **632** and palm **634** portions of the glove may be made, for example from spandex, while the fourchette portions **636** of the glove may be made, for example, from lycra. A wrist cuff **638** may be made, for example, from neoprene. The back portion **632** of the glove may include decorative or logo indicia thereon. An aperture **640** may be disposed between the middle and ring fingers and at the base of the fingers. Aperture **640** may be reinforced and may be sized to receive a portion of the body of a confetti scattering device. The palm portion **634** of the glove may include a pocket **642** in which a portion of the device may be disposed. The pocket may be made, for example, from a durable material such as synthetic leather. The portion of the device that is disposed within pocket **642** may one or more of the palm rest, the body, and the trigger of device **650**. Pocket **642** may include an aperture **644** for receiving a portion of the confetti scattering device, for example the stem of the trigger of the device. Additionally, the fingers of glove **630** may include perforations **646** and grip pads **648**, which may be made of, for example, silicone.

The embodiments of the confetti scattering devices, and the gloves and bands for use therewith that are disclosed herein can thus provide a novel, entertaining, and safe way for individuals to enhance their parties and celebrations with confetti, and to incorporate the element of confetti into popular celebratory gestures. It should be appreciated that the device for scattering confetti is not limited for use with the “high-five” and may be used with any gesture involving pressure to the palm of the hand, regardless of whether the gesture involves one, two, or multiple people.

Confetti for use with the embodiments of the devices, gloves and bands disclosed herein may be any known confetti. For example, the confetti may be made from paper, cardboard, biodegradable materials, tissue paper, and may be multicolored, reflective, glow-in-the-dark, or may have any other known decorative features. The confetti may further include glitter or any other similar composition. The confetti may have a size of approximately 1 mm square, or any size that enables the devices, gloves and bands to function as disclosed herein.

Containers disclosed herein may be formed, for example, by injection molding or plastic extrusion, and may be manually or automatically filled with confetti and may further be provided with separators and charges, if necessary for a particular embodiment. Portions such as air bladders, may be formed, for example, by blow molding. Other portions of the bodies and other constituent members may be formed for example, by injection molding or plastic extrusion. Certain members, such as, for example, the pin of the piston, may be made from metal so as to increase durability and resistance to damage from repeated detonations of the charge. The various constituent members of the devices may be bonded together,

for example, via adhesive or thermal bonding, via fasteners such as screws, or may fit together via friction fit. Other methods of manufacturing the constituent members of the devices, other materials for forming the devices, and other methods of bonding the devices may be contemplated and provided as desired without departing from the spirit of the invention.

The foregoing description and accompanying figures illustrate the principles, preferred embodiments and modes of operation of the invention. However, the invention should not be construed as being limited to the particular embodiments discussed above. Additional variations of the embodiments discussed above will be appreciated by those skilled in the art.

Therefore, the above-described embodiments should be regarded as illustrative rather than restrictive. Accordingly, it should be appreciated that variations to those embodiments can be made by those skilled in the art without departing from the scope of the invention as defined by the following claims.

What is claimed is:

1. A device for scattering confetti, comprising:

a body including a cavity having a proximal end and a distal end;

a container, coupled to the body, and having confetti disposed therein; and

at least one retaining structure for maintaining the device in a hand of a person;

wherein a portion of the body is disposed in the palm of the hand; and

wherein one or both of the body and the container comprise at least one component for releasing confetti from the container, such that an actuation of the at least one component releases the confetti; and

the at least one component for releasing confetti comprises a piston disposed in the cavity and moveable between the proximal end and the distal end of the cavity, a detonative charge, a resilient member disposed within the cavity between the piston and the detonative charge and exerting a force on the piston toward the proximal end, and a pin extending from the piston and at least partially through the resilient member toward the detonative charge.

2. The device of claim **1**, wherein a portion of the body or a portion of the container is disposed between the middle finger and index finger of the hand.

3. The device of claim **1**, wherein:

when the container is coupled to the body, the detonative charge is disposed between the piston and the confetti.

4. The device of claim **1**, wherein the piston is disposed so as to engage the detonative charge.

5. The device of claim **1**, wherein the at least one retaining structure comprises a strap, a band, or a glove.

6. A device for scattering confetti, comprising:

a body;

a cavity defined within the body, and having a proximal end and a distal end;

a piston disposed in the cavity and moveable between the proximal end of the cavity and the distal end of the cavity;

a container removably coupled to the body and having confetti disposed therein;

a detonative charge, disposed between the piston and the confetti;

at least one retaining structure for maintaining the device in a hand of a person;

at least one opening having a transverse portion and a longitudinal portion defined in an outer wall of the body

between the proximal end and the distal end, the opening being in communication with the cavity and the exterior of the body; and

at least one rigid tab coupled to the piston and received within the opening, wherein the piston is in a first position at the proximal end of the cavity when the at least one rigid tab is received within the transverse portion of the opening, and moveable to a second position at the distal end of the cavity when the at least rigid one tab is within the longitudinal portion of the opening.

7. The device of claim 6, further comprising a trigger, wherein a movement of the trigger engages the at least one rigid tab and moves the at least one tab from the transverse portion of the opening to the longitudinal portion of the opening which results in a movement of the piston.

8. The device of claim 6, wherein the movement of the piston results in detonation of the charge.

9. The device of claim 6, wherein the body further comprises a bend in a portion of its length.

10. The device of claim 6, further comprising a resilient member disposed between the proximal end of the cavity and the piston, wherein the resilient member exerts a force on the piston in the direction of the distal end of the cavity.

11. The device of claim 6, wherein:

the piston is adapted to be releasably retained at the proximal end of the cavity.

12. The device of claim 6, wherein the at least one tab is operable by the user so as to move the piston.

13. The device of claim 6, wherein the at least one retaining structure comprises a strap, a band, or a glove.

* * * * *